



FALCON HD Grapple Camera System



See more, harvest more

The Falcon HD Grapple Camera System has been developed to provide full visibility and grapple accuracy to improve cycle times and increase overall productivity. Our camera system can be fitted to any swing yarder grapple system, providing crystal clear vision of your remote logging site. Get your crew off the hill, reduce risk, increase your accuracy and boost efficiency.

Give your swing yarder operator full control with crystal-clear visibility for safe and efficient logging.



01 1080 Full HD

A full high-definition (HD) camera gives you a super sharp view of your remote work site. Increase your grapple claw accuracy and productivity.

04 100° Field of View

Get visibility over the whole area you are operating in.

02 Low Light Visibility

Operate in any weather conditions, day and night, including low light and poor visibility.

05 Robust Housing, Removable Cassette

The high tensile steel housing is extremely durable and reliable in rugged conditions. It also comes with a swap-out inner cassette to minimise downtime and ease of servicing.

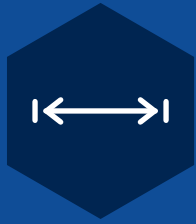
03 Extended Battery Life

Two batteries provide up to 20hrs of continuous battery life. Optional in-hauler charger, or just plug into the socket at home.

06 Up to 1km Range

A long transmitting range and zero-latency signal keep your crew well clear of the danger zone.

Why loggers are choose the Falcon HD Grapple Camera



Live Distance
Metrics



Low Maintenance



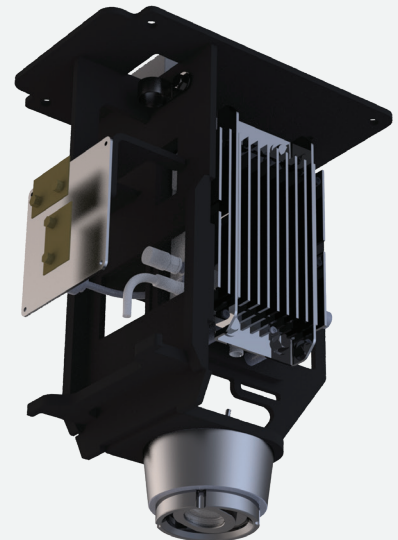
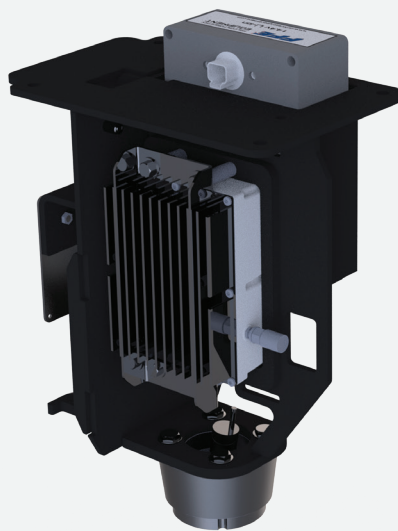
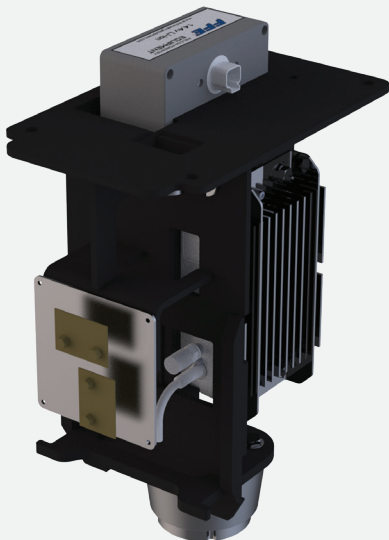
Durable



Increase
Pulling Hours



Quicker
Turnaround Times



Above: Inner Cassette Assembly

Easy to install and maintain

The Falcon HD Grapple Camera System comes as a complete assembled unit, which is simple to install and maintain. The purpose-built system includes a heavy-duty HD camera and transmitter unit, tower receiver and aerial assembly, two lithium batteries with a charging system, and a 19" LCD monitor.

Robust and reliable

The Falcon HD Grapple Camera System is constructed to handle the toughest environments. The cassette is designed to be swapped out and sent back to DC Equipment if an issue arises to keep up time on the hill.

Maximise your operating hours

The system is designed to run up to 24 hours per day with two lithium rechargeable batteries each having a 20-hour running time and it plugs into mains. The system is designed to be operated in any weather condition – low light, night or poor visibility – adding more hours of productivity in the day.

Specifications

Dimensions	11.8" x 14.9" x 8.2"
Definition	1080 full HD, excellent low light visibility
Field of view	100 degrees
Range	Over 3280ft (Line of Sight)
Battery	10Ah 14.4V battery Up to 20hrs continuous battery life
Signal	Multi aerial design for signal robustness Zero-latency
Housing	High tensile bis 80 steel 0.39" Marguard IP67 rated components Fully vibration isolated internals Removable internal assembly for easy servicing
Mounting	LH and RH mounting capability Fully adjustable camera position (tool included)
On-Screen display	Distance, signal strength
Camera Lens	Replaceable 0.11" camera lens



For more information, see your nearest Great West Distributor

ALL SALES ENQUIRIES

Email: gwesales@gwequipment.com

LOCATION	PHONE	ADDRESS
Campbell River	(250) 286-0123	2011-14th Avenue, Campbell River, BC V9W 4J2
Cranbrook	(250) 426-6778	2401 Cranbrook Street N Cranbrook, BC V1C 3T3
Fort St. John	(250) 785-4223	12623 Charlie Lake Frontage Road, Fort St John, BC V1J 2B0
Kamloops	(250) 372-3996	1220 Chief Louis Way, Kamloops, BC V2H 1J8
Nanaimo	(250) 716-8805	2115 South Wellington Way, Nanaimo, BC V9X 1R5
Prince George	(250) 612-0255	4759 Continental Way, Prince George, BC V2N 5S5
Terrace	(250) 635-9033	3830 Sharples Road, Terrace, BC V8G 5P8
Vancouver	(604) 882-5051	18995 - 94th Ave. Surrey, BC V4N 4X5
Vernon	(250) 549-4232	123 L&A Crossroad, Vernon, BC V1B-3S1
Williams Lake	(250) 392-9599	4700 Collier Place, Williams Lake, BC V2G 5E9
Whitehorse	(867) 456-8210	10 Lindeman Road, Whitehorse, YT Y1A 5Z6



+64 3 544 7438 • +64 27 232 4069
46A Factory Road, Brightwater
7022, New Zealand
falconforestryequipment.com